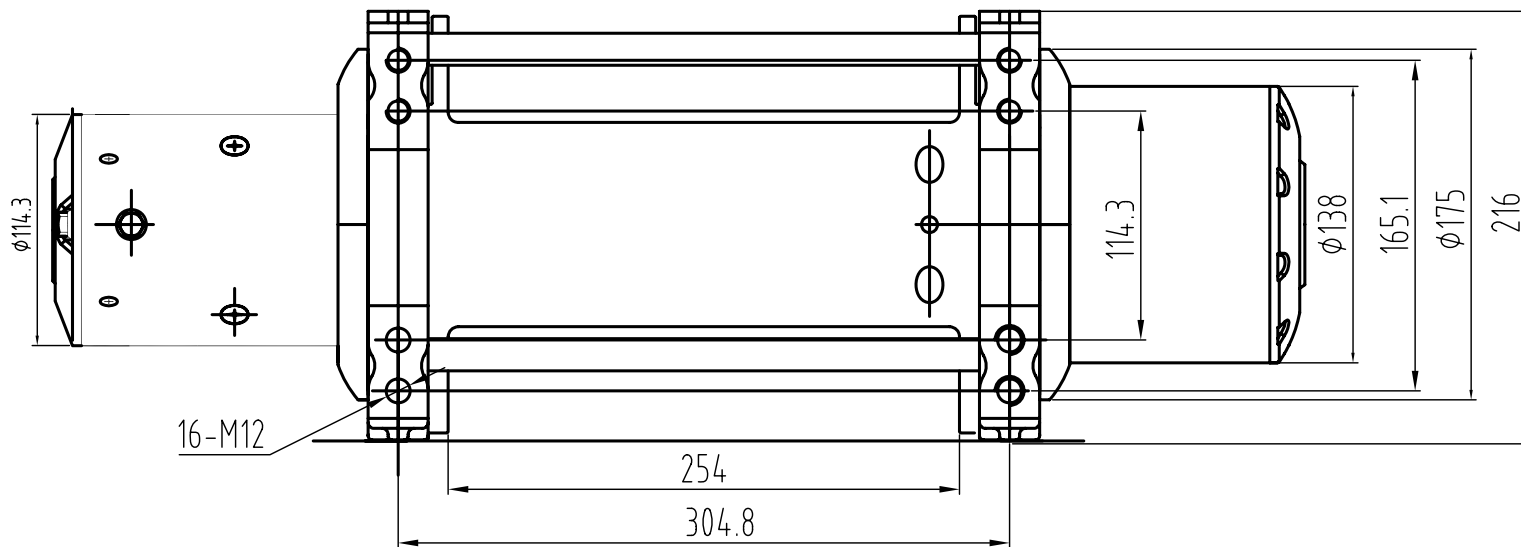
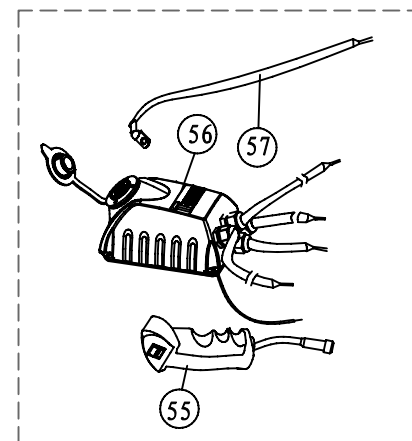
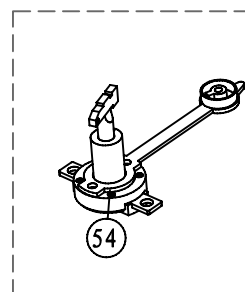
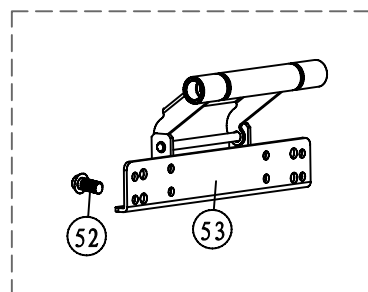
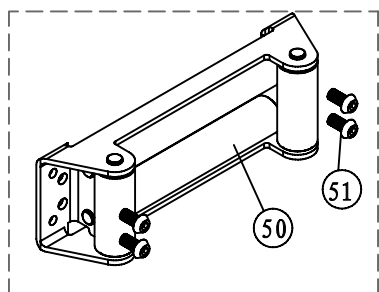
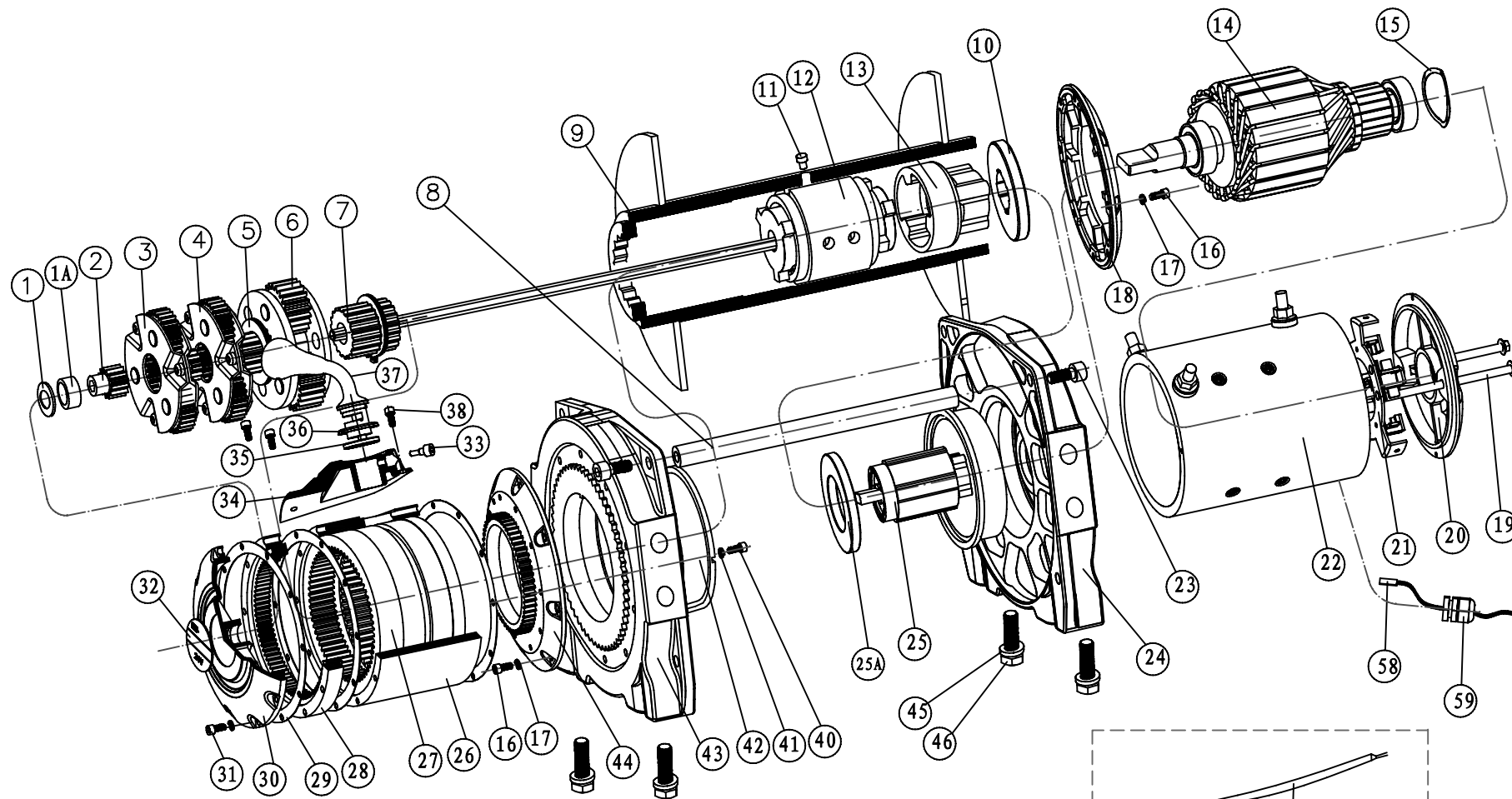


CEW 9000 外形及安装图





8525600 爆炸图  
8526600 爆炸图

080108确认

# 8525600(CEW9000LBS 12V)WINCH PART LIST

NO.	P/N	Description	Qty	NO.	P/N	Description	Qty
1	7329200.3-20	Small Cushion	2	28	8525600.3-10	Inner gear	1
1A	7329200.3-12	Bearing	1	29	7329200.3-14	Gakdet	2
2	7329200.3-13	Sun Gear-Input	1	30	7337101.3-11	Gear box end cover	1
3	7329200.3.1	Gear Carrier Ass'y-input	1	31	GB/T 70.1 M4*25	Bolt M4X25	3
4	7329200.3.2	Gear Carrier Ass'y-intermediate	1	32		model scutcheon	1
5	7329200.3-9A	Cushion	2	33	7353200.0-13	Clutch Screw	1
6	7329200.3.3	Gear Carrier Ass'y-Output	1	34	7337101.3-4A	Clutch Support	1
7	7329200.3.3-1	Outer Spline	1	35	GB3452.1 20*2.6	Clutch Washer	1
8	8541200.0-2	Tie Bar		36	7337101.3-6	Washer Cover	1
9	8525200.2	Durm Ass'y	1	37	7337101.3-7	Clutch Handle	1
10	8525200.10-2	Big Bearing II		38	GB/T 70.1 M5*12	Bolt M5*12	3
11	GB79 M10*16	Braking Bolt M10x16	1	40	GB/T 70.1 M4*16	Bolt M4X16	10
12	8525200.7	Brake Ass'y	1	41	GB/T 93 4	Spring washer φ4	20
13	8525200.7-10	coupling joint	1	42	7353200.6-2	Fixed Bearing	2
14	8525200.1.2	Rotor(12V)	1	43	8330300.0-8	Big Gear Box Base	1
15	GB/T 955 18	undee Spring washer 18	1	44	8525600.3-1	gear box connection base	1
16	GB/T70.1 M6*16	Bolt M6X16	16	45	GB/T1228 M12*40	Bolt M12x40	8
17	GB/T 93 6	Spring washer φ6	16	46	GB/T 93 12	Lockwasher φ12	8
18	8525600.1-1A	motor connection base	1	50	8330300.5	4-way Roller Fairlead	1
19	GB 5788 M6*154	Long bolt M6*154	2	51	GB/T70.2 12*25	Link Screw M12X25	8
20	7337600.1-2	Motor Cover	1	52	GB/T 93 12	Lockwasher φ12	8
21	7337600.1.3	Cbrbon Ass'y	1	53	8330300.4	WIRE ROPE ARRANGEMENT	1
22	8525600.1	Stator (12V)	1	54	7329100.6.5	Master switch set	1
23	GB/T 70.1 M8*25	Tie Bar Connecting Bolt M8X25	2	55	7329103.1.2	Hand Remote Control	1
24	8525600.1-1	Big motor base	1	56	7329103A.1	Control Box(12V)	1
25	8525600.1	Torque limiter Ass'y	1	57	7353200.6.1-17	1.83 m Black Battery Cable	1
25A	8525200.10-1	Big Bearing I	1	58	8553200.1.1-10	thermal protector	1
26	8525600.3-2	Gear box tube	1	59	8553200.1.1-11	PG16 cable glands	1
27	8525600.3-3	Clutch gear	1				

# 8526600(CEW9000LBS 24V)WINCH PART LIST

NO.	P/N	Description	Qty	NO.	P/N	Description	Qty
1	7329200.3-20	Small Cushion	2	28	8525600.3-10	Inner gear	1
1A	7329200.3-12	Bearing	1	29	7329200.3-14	Gakdet	2
2	7329200.3-13	Sun Gear-Input	1	30	7337101.3-11	Gear box end cover	1
3	7329200.3.1	Gear Carrier Ass'y-input	1	31	GB/T 70.1 M4*25	Bolt M4X25	3
4	7329200.3.2	Gear Carrier Ass'y-intermediate	1	32		model scutcheon	1
5	7329200.3-9A	Cushion	2	33	7353200.0-13	Clutch Screw	1
6	7329200.3.3	Gear Carrier Ass'y-Output	1	34	7337101.3-4A	Clutch Support	1
7	7329200.3.3-1	Outer Spline	1	35	GB3452.1 20*2.6	Clutch Washer	1
8	8541200.0-2	Tie Bar		36	7337101.3-6	Washer Cover	1
9	8525200.2	Durm Ass'y	1	37	7337101.3-7	Clutch Handle	1
10	8525200.10-2	Big Bearing II		38	GB/T 70.1 M5*12	Bolt M5*12	3
11	GB79 M10*16	Braking Bolt M10x16	1	40	GB/T 70.1 M4*16	Bolt M4X16	10
12	8525200.7	Brake Ass'y	1	41	GB/T 93 4	Spring washer φ4	20
13	8525200.7-10	coupling joint	1	42	7353200.6-2	Fixed Bearing	2
14	8526200.1.2	Rotor(24V)	1	43	8330300.0-8	Big Gear Box Base	1
15	GB/T 955 18	undee Spring washer 18	1	44	8525600.3-1	gear box connection base	1
16	GB/T70.1 M6*16	Bolt M6X16	16	45	GB/T1228 M12*40	Bolt M12x40	8
17	GB/T 93 6	Spring washer φ6	16	46	GB/T 93 12	Lockwasher φ12	8
18	8525600.1-1A	motor connection base	1	50	8330300.5	4-way Roller Fairlead	1
19	GB 5788 M6*154	Long bolt M6*154	2	51	GB/T70.2 12*25	Link Screw M12X25	8
20	7337600.1-2	Motor Cover	1	52	GB/T 93 12	Lockwasher φ12	8
21	7337600.1.3	Cbrbon Ass'y	1	53	8330300.4	WIRE ROPE ARRANGEMENT	1
22	8526600.1	Stator (24V)	1	54	7329100.6.5	Master switch set	1
23	GB/T 70.1 M8*25	Tie Bar Connecting Bolt M8X25	2	55	7329103.1.2	Hand Remote Control	1
24	8525600.1-1	Big motor base	1	56	7330103A.1	Control Box(24V)	1
25	8525600.1	Torque limiter Ass'y	1	57	7353200.6.1-17	1.83 m Black Battery Cable	1
25A	8525200.10-1	Big Bearing I	1	58	8553200.1.1-10	thermal protector	1
26	8525600.3-2	Gear box tube	1	59	8553200.1.1-11	PG16 cable glands	1
27	8525600.3-3	Clutch gear	1				