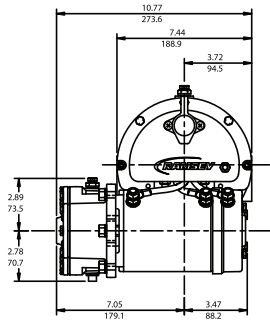
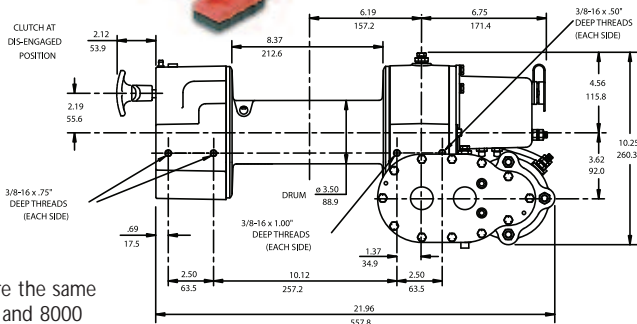
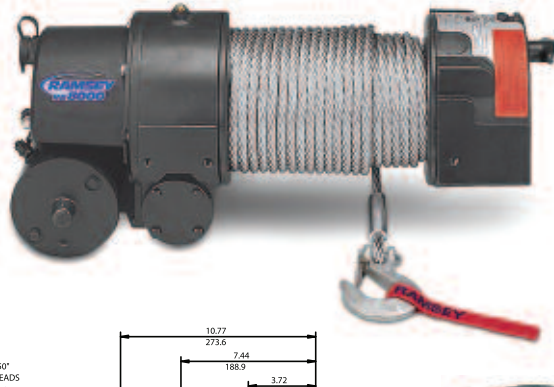
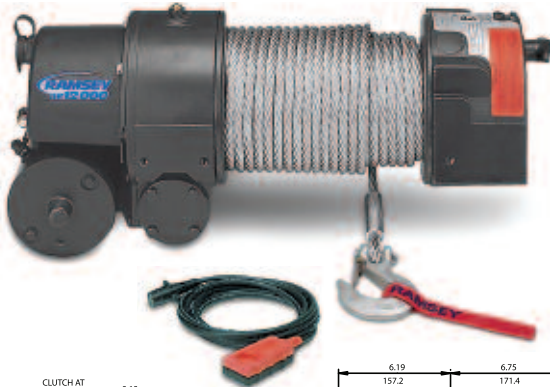




# RE SERIES

## RE 12,000

## RE 8000



Dimensions are the same for RE 12,000 and 8000

Dimensions shown are inches over millimeters

Mounting kits available for most vehicles, see our website at [ramsey.com](http://ramsey.com) or call 918-438-2760

### Product Features

- Strong worm gear provides load reversing protection
- Motor and solenoids are grounded directly to battery
- Exclusive semi-automatic RAM-LOK™ clutch disengages for free spooling
- Weather resistant solenoid assembly
- 12 ft. pendant
- 6 ft. (1.83 M) 2 gauge battery cables with connectors
- 4-way roller fairlead
- Limited lifetime warranty

### Specifications

Rated line pull . . . . . (single line) 12,000 lbs. (5,440 kgs)  
 Gear reduction ratio. 470:1 (12V) (24V)  
 Motor . . . . . Series wound 4.8 hp (12V) – 2.5 hp (24V) DC  
 Overall dimensions . . (LxWxH) 21.96" x 10.75" x 10.25"  
 (558 MM x 273 MM x 260 MM)  
 Drum size. . . . . Diameter 3.5" (89 MM) Length 8.38" (212 MM)  
 Weight . . . . . 135 lbs. (61 kgs)  
 Cable supplied . . . . . 100 ft. (30.5 M) or optional 125 ft. (38 M) of 3/8"  
 (9 MM) galvanized aircraft cable with replaceable clevis hook with safety latch

Note: 24V models have different dimensions. Consult factory.

### Line Speed & Amp Draw – First Layer

Line Pull	lbs.	no load	2,000	8,000	10,000	12,000
	kgs	load	900	3,620	4,530	5,440
Line Speed	fpm		16	8.6	4.4	3.8
	mpm		4.9	2.6	1.3	1.0
Motor Current	amps	12V	80	150	290	335
		24V	30	50	135	160

### Line Pull & Cable Capacity

Layer of Cable		1	2	3	4
Rated Line Pull per Layer	lbs.	12,000	10,000	8,600	7,500
	kgs	5,440	4,530	3,890	3,390
Cable Capacity per Layer	ft.	20	40	70	100
	m	6	12	21	30

- RE 12,000 R 12V . . . . . Part# 112162
  - RE 12,000 H 12V . . . . . Part# 112163
  - RE 12,000 RX 12V . . . . . Part# 112169
  - RE 12,000 R 24V . . . . . Part# 110597
  - RE 12,000 R 12V w/ 25A remote . . . . . Part# 112198
- R - 4-way roller fairlead H - hawes fairlead

### Specifications

Rated line pull . . . . . (single line) 8,000 lbs. (3,620 kgs)  
 Gear reduction ratio. 360:1 (12V) (24V)  
 Motor . . . . . Series wound 4.8 hp (12V) - 2.5 hp (24V) DC  
 Overall dimensions . . (LxWxH) 21.96" x 10.75" x 10.25"  
 (558 MM x 273 MM x 260 MM)  
 Drum size. . . . . Diameter 3.5" (89 MM) Length 8.38" (212 MM)  
 Weight . . . . . 130 lbs. (59 kgs)  
 Cable supplied . . . . . 150 ft. (30.5 M) of 5/16" (8 MM) galvanized aircraft cable with replaceable clevis hook with safety latch

Note: 24V models have different dimensions. Consult factory.

### Line Speed & Amp Draw – First Layer

Line Pull	lbs.	no load	2,000	4,000	6,000	8,000
	kgs	load	900	1,810	2,720	3,620
Line Speed	fpm		20	9.5	7.0	5.3
	mpm		6.1	2.9	2.1	1.6
Motor Current	amps	12V	90	170	235	302
		24V	36	75	105	140

### Line Pull & Cable Capacity

Layer of Cable		1	2	3	4	5
Rated Line Pull per Layer	lbs.	8,000	6,800	6,000	5,300	4,800
	kgs	3,620	3,080	2,710	2,400	2,170
Cable Capacity per Layer	ft.	20	50	80	120	150
	m	6	15	24	36	45

- RE 8000 R 12V . . . . . Part# 112158
  - RE 8000 R 24V . . . . . Part# 110414
  - RE 8000 H 12V . . . . . Part# 112159
- R - 4-way roller fairlead H - hawes fairlead